



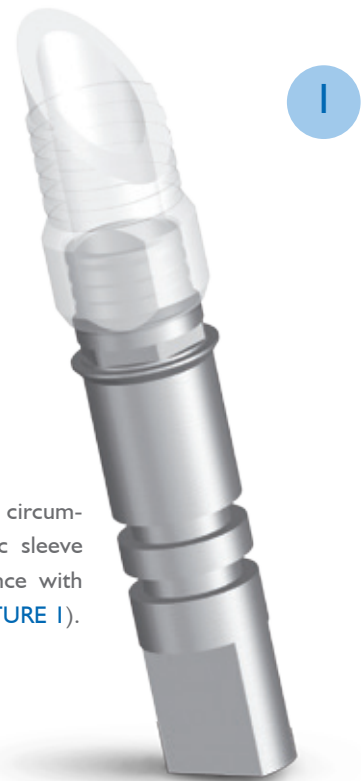
Prosthetic procedure

Cast-On – customizable abutment

A decorative graphic at the bottom of the page consisting of several overlapping, wavy blue lines that create a sense of motion and depth.

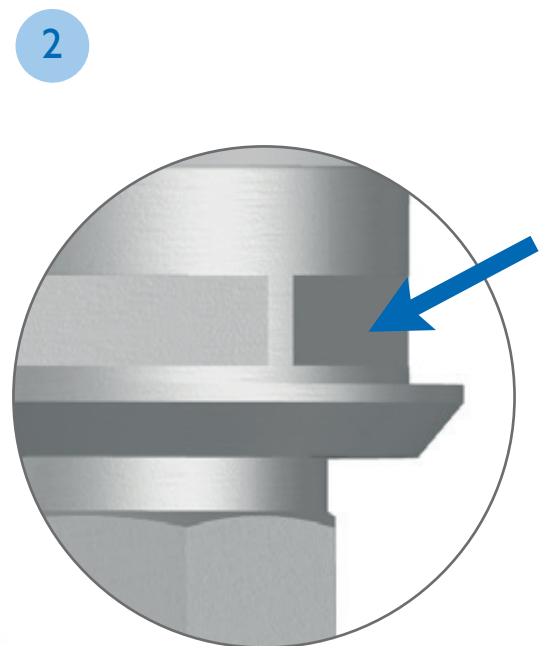
Cast-On

Take the implant level impression, preferably using the open tray impression post and replicate the clinical situation by fabricating a high-quality stone master cast in the usual way. Place the Cast-On abutment into the master cast and make sure the anti-rotation element is engaged properly and the components fit correctly together before tightening the fixing screw.

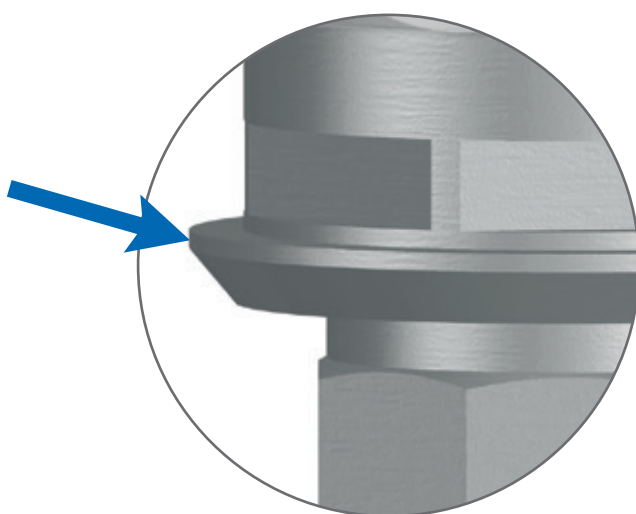


Depending on the individual circumstances, the modeling plastic sleeve can be trimmed in accordance with individual requirements (PICTURE 1).

Contour the optimum shape of the abutment with the usual modeling wax. Fill carefully the hex above the abutment shoulder with modeling wax. Make sure the hex above the shoulder is completely covered with a uniform layer of modeling wax (see DETAIL 2). Thicken the wax to prevent bubbles on the metal connection area. The modeling on the abutment must be sufficiently thick (a wax layer of at least 0.7 mm). When modeling, always use a gingival mask to ensure that the emergence profile of the crown is optimally contoured (PICTURE 2).



Ensure that there is no wax on the circular edge margin of the abutment base in order to avoid any overflow of the cast-on alloy. Invest the customized abutment in the usual way using high-quality investment material (PICTURE 3).



For casting use high-melting cobalt-chrome alloy. Devest gently with ultrasound, water jet, pickling acid or a glass-fiber brush. To remove the oxide layer use glass beads (50 μm /2~4 bar). Be aware of danger of damage of the inner configuration and of the prefabricated connection to implant. Protect carefully the connection to implant during all manipulations with the abutment.



Tighten the abutment screw with the help of a calibrated torque wrench respecting the recommendations concerning the tightening torque of the respective implant manufacturer. Use the original screwdriver supplied by the implant manufacturer.

Available for selected prosthetic platforms of the following implant systems: LASAK BioniQ® and IMPLADENT, Astra Tech®, Nobel-Active®, NobelReplace®, Straumann® Bone Level and synOcta®.

CONTRAINDICATIONS

Abutments angled more than 30 degrees should not be used in implants with diameters less than 4.0 mm in posterior region.